

Location:

  
**SYMMONS® Temptrol®**  
**Shower and Tub-Shower Mixing Valve**  
**Models S-46-1-BODY, S-46-2-BODY**  
**Specification Submittal**



**Model Numbers**

- S-46-1-BODY, Symmons Temptrol Shower mixing valve with integral volume control and plug installed in tub supply output port
- S-46-2-BODY, Symmons Temptrol Tub-Shower mixing valve with integral diverter

**Modifications**

- IPS 1/2" female IPS connections
- REV Reverse coring, hot on right, cold on left, for back to back installations

**Feature Highlights**

- Symmons Temptrol 4-port pressure-balancing mixing valve with adjustable stop screw to limit handle turn
- Supply input ports 1/2 inch sweat
- Output ports NPS threaded 1/2 inch

**Standards / Certifications**

ASME A112.18.1/CSA B125.1

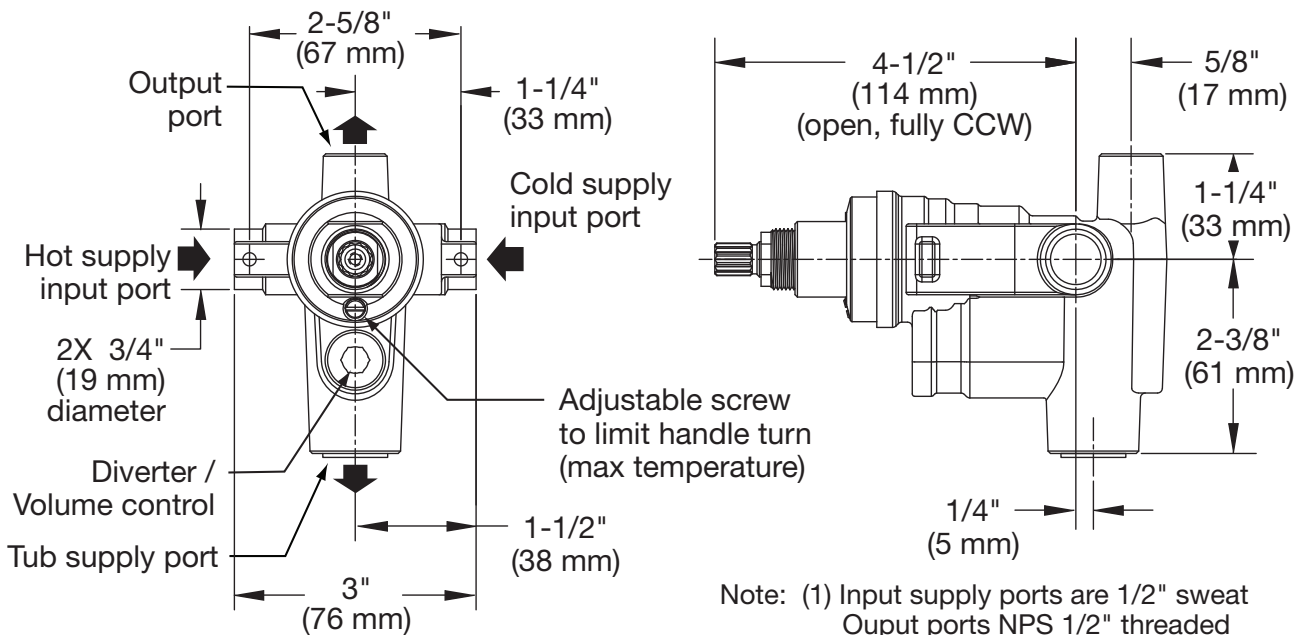
ASSE 1016



**Warranty**

- Limited Lifetime - to the original end purchaser in residential/consumer installations.
- 5 years - for commercial installations

**Dimensions** *Temptrol Shower & Tub-Shower Valve, 4-port valve*



Note: (1) Input supply ports are 1/2" sweat  
Output ports NPS 1/2" threaded  
(2) plug for tub supply port is required for shower only valve installations

Location:

**SYMMONS® Temptrol®**  
**Shower and Tub-Shower Mixing Valve**  
**Models S-46-1X-BODY, S-46-2X-BODY**  
**Specification Submittal**



**Model Numbers**

- S-46-1X-BODY, Symmons Temptrol Shower mixing valve with integral volume control and plug installed in tub supply output port
- S-46-2X-BODY, Symmons Temptrol Tub-Shower mixing valve with integral diverter

**Modifications**

- REV Reverse coring, hot on right, cold on left, for back to back installations
- CHKS Integral check stops - for use in installations where a positive shut-off device is used downstream of valve

**Feature Highlights**

- Symmons Temptrol 4-port pressure-balancing mixing valve with adjustable stop screw to limit handle turn
- Integral service stops to allow water shut-off for servicing valve
- Supply input ports 1/2 inch sweat
- Output ports NPS threaded 1/2 inch

**Standards / Certifications**

ASME A112.18.1/CSA B125.1

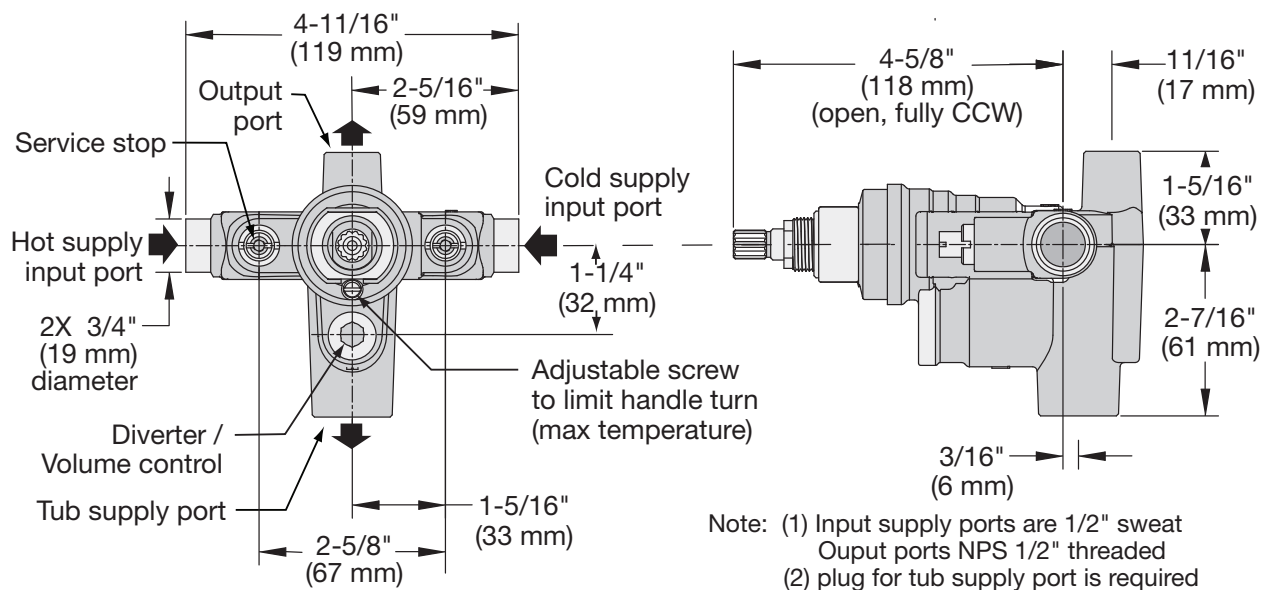
ASSE 1016



**Warranty**

- Limited Lifetime - to the original end purchaser in residential/consumer installations.
- 5 years - for commercial installations

**Dimensions** Temptrol Shower & Tub-Shower Valve, 4-port valve with service stops



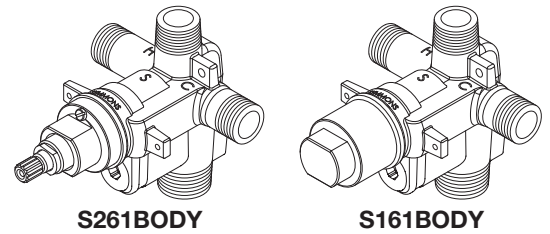
Note: (1) Input supply ports are 1/2" sweat  
Output ports NPS 1/2" threaded  
(2) plug for tub supply port is required for shower only valve installations



# SYMMONS® Temptrol®

the smart choice™

## PRESSURE BALANCING TUB/SHOWER VALVE BODY SPECIFICATION SUBMITTAL



### MODEL NUMBERS

- S261BODY**  
Pressure Balancing tub/shower valve body with integral volume control
- S161BODY**  
Pressure Balancing tub/shower valve body with pressure testing cap and integral volume control

### FEATURE HIGHLIGHTS

- Brass, bronze and stainless steel construction
- Pressure balancing mixing valve to maintain safe shower temperature
- Integral volume control
- Adjustable stop screw to control maximum hot water temperature to valve
- 4 port valve body in common plane
- Inlets: 1/2" IPS and 1/2" sweat
- Outlets: 1/2" IPS and 1/2" sweat
- Accommodates back to back installations
- Accommodates thin wall installations
- Stringer mounts included

### OPTIONS/MODIFICATIONS

- BR**      Mounting bracket
- RV**      Reverse seat for back to back installations

### INLET ADAPTERS

- CP**      CPVC fittings
- P1**      PEX crimp fittings
- P2**      PEX expansion fittings
- P3**      ProPress fittings

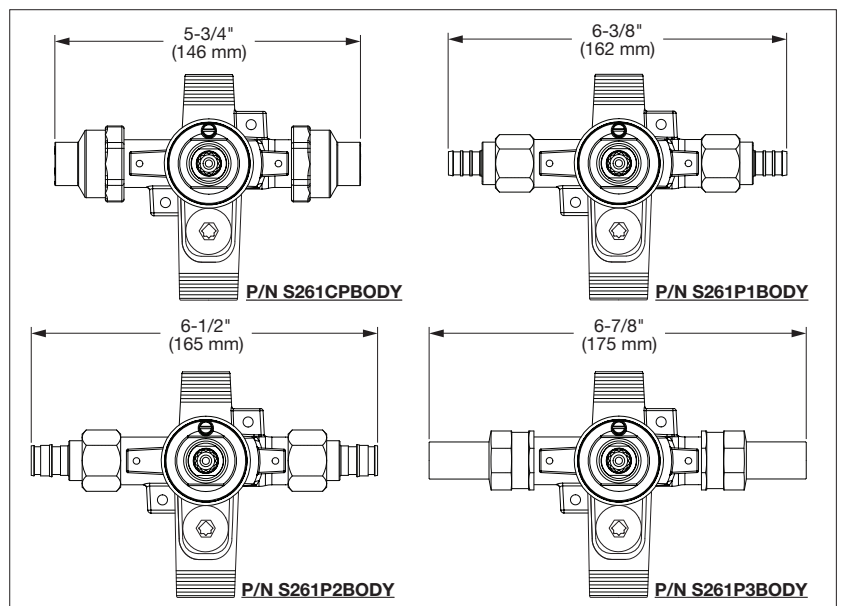
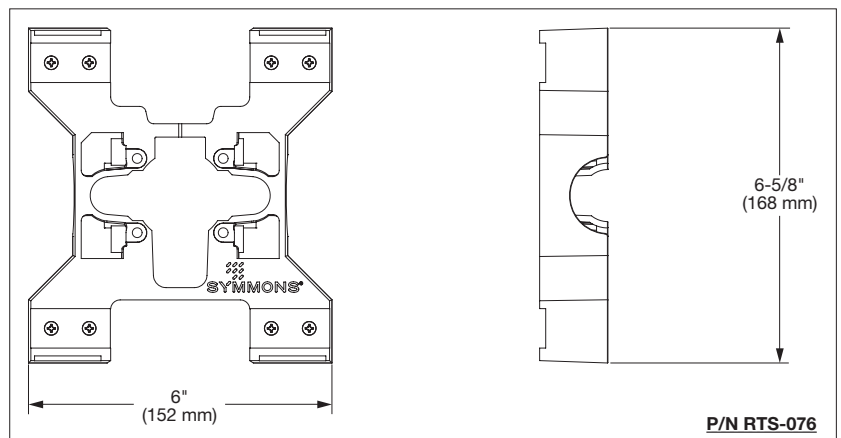
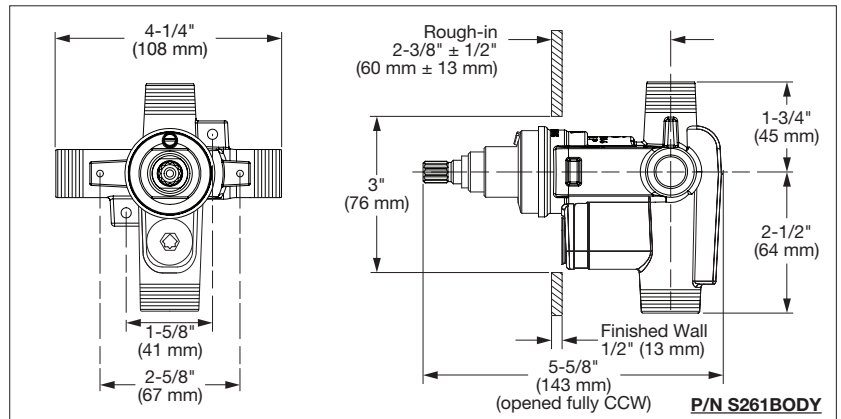
### COMPLIANCE

- ASME A112.18.1/CSA B125.1
- ASSE 1016
- Buy American Act Compliant



### WARRANTY

**Limited Lifetime** - to the original end purchaser in consumer installations.  
**5 Years** - for commercial installations.  
 Refer to [www.symmons.com/warranty](http://www.symmons.com/warranty) for complete warranty information.

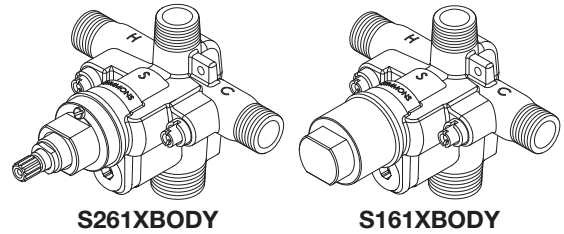




# SYMMONS® Temptrol®

the smart choice™

## PRESSURE BALANCING TUB/SHOWER VALVE BODY SPECIFICATION SUBMITTAL



### MODEL NUMBERS

- S261XBODY**  
Pressure Balancing tub/shower valve body with integral volume control and service stops
- S161XBODY**  
Pressure Balancing tub/shower valve body with pressure testing cap, integral volume control and service stops

### FEATURE HIGHLIGHTS

- Brass, bronze and stainless steel construction
- Pressure balancing mixing valve to maintain safe shower temperature
- Integral volume control
- Adjustable stop screw to control maximum hot water temperature to valve
- Integral service stops allow water shut-off for valve servicing
- 4 port valve body in common plane
- Inlets: 1/2" IPS and 1/2" sweat
- Outlets: 1/2" IPS and 1/2" sweat
- Accommodates back to back installations
- Accommodates thin wall installations
- Stringer mounts included

### OPTIONS/MODIFICATIONS

- BR** Mounting bracket
- CHKS** Integral check stops for use in installations where a positive shut-off device is used downstream of valve
- RV** Reverse seat for back to back installations

### INLET ADAPTERS

- CP** CPVC fittings
- P1** PEX crimp fittings
- P2** PEX expansion fittings
- P3** ProPress fittings

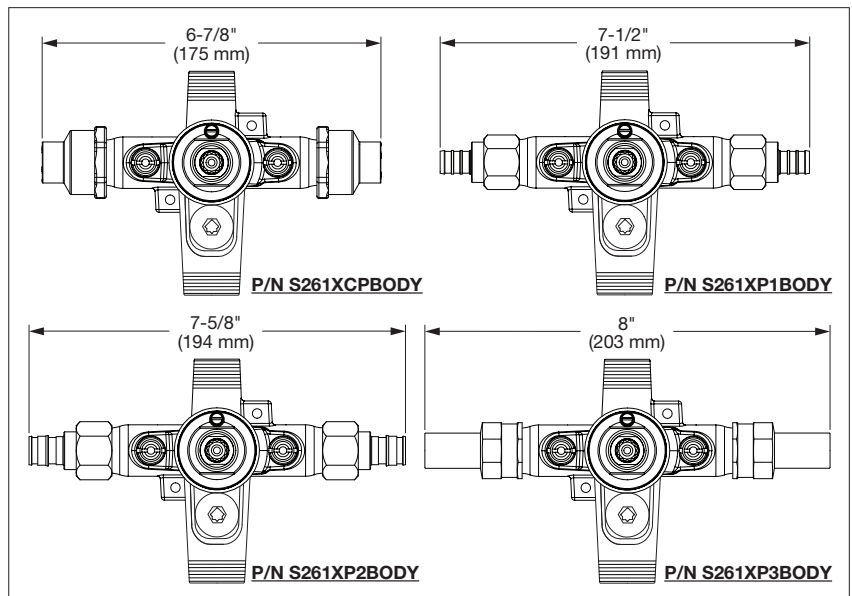
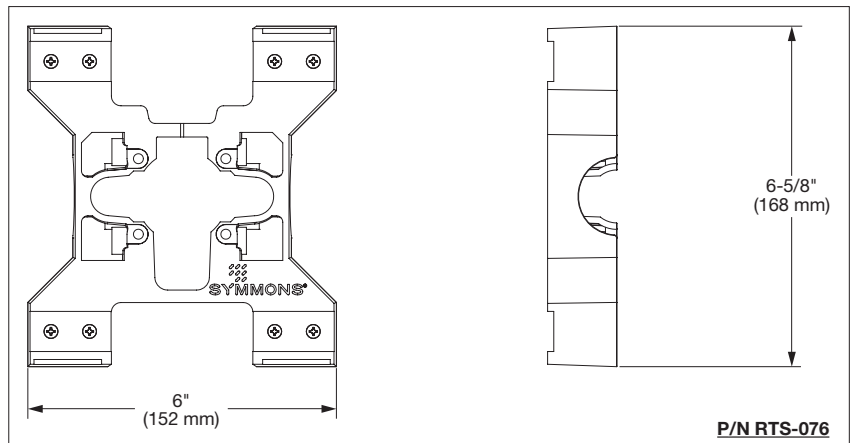
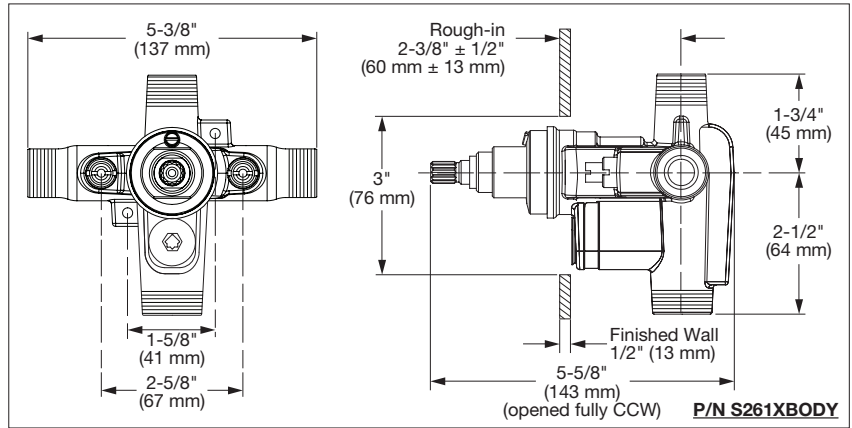
### COMPLIANCE

- ASME A112.18.1/CSA B125.1
- ASSE 1016
- Buy American Act Compliant



### WARRANTY

**Limited Lifetime** - to the original end purchaser in consumer installations.  
**5 Years** - for commercial installations.  
 Refer to [www.symmons.com/warranty](http://www.symmons.com/warranty) for complete warranty information.

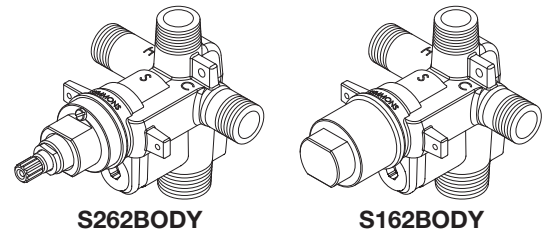




# SYMMONS® Temptrol®

the smart choice™

## PRESSURE BALANCING TUB/SHOWER VALVE BODY SPECIFICATION SUBMITTAL



### MODEL NUMBERS

- S262BODY**  
Pressure Balancing tub/shower valve body with integral diverter
- S162BODY**  
Pressure Balancing tub/shower valve body with pressure testing cap and integral diverter

### FEATURE HIGHLIGHTS

- Brass, bronze and stainless steel construction
- Pressure balancing mixing valve to maintain safe shower temperature
- Integral diverter control
- Adjustable stop screw to control maximum hot water temperature to valve
- 4 port valve body in common plane
- Inlets: 1/2" IPS and 1/2" sweat
- Outlets: 1/2" IPS and 1/2" sweat
- Accommodates back to back installations
- Accommodates thin wall installations
- Stringer mounts included

### OPTIONS/MODIFICATIONS

- BR**      Mounting bracket
- RV**      Reverse seat for back to back installations

### INLET ADAPTERS

- CP**      CPVC fittings
- P1**      PEX crimp fittings
- P2**      PEX expansion fittings
- P3**      ProPress fittings

### COMPLIANCE

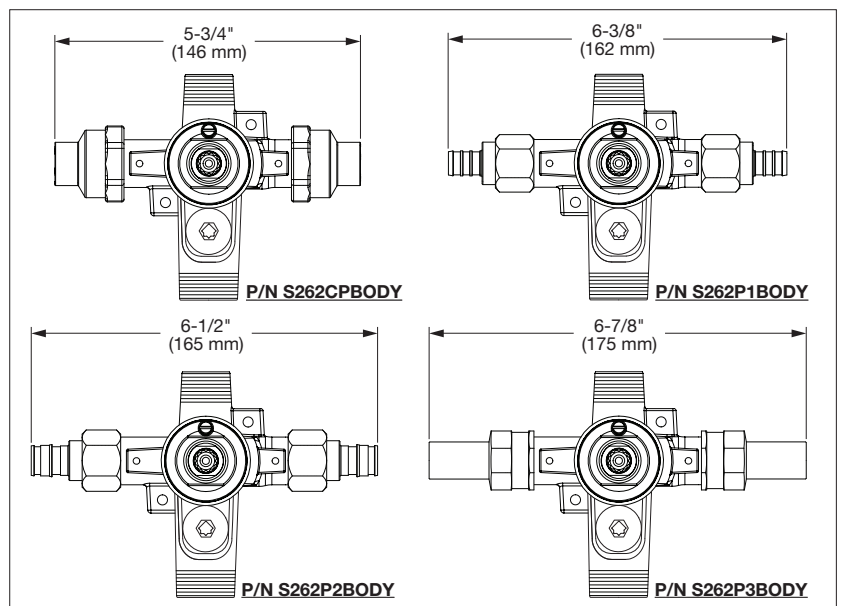
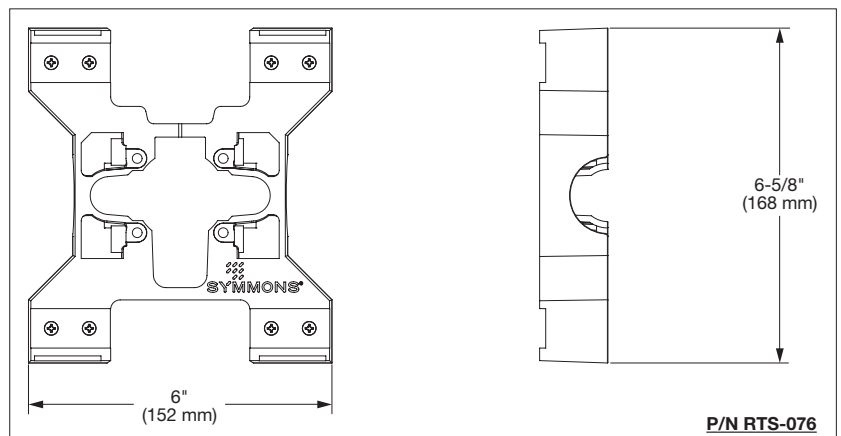
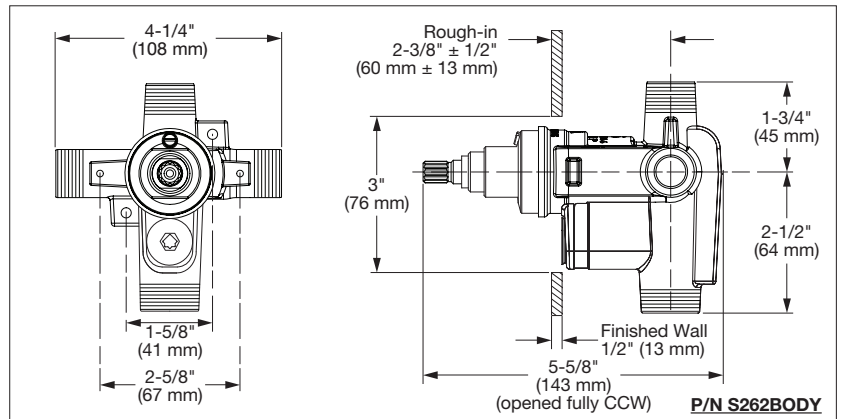
- ASME A112.18.1/CSA B125.1
- ASSE 1016
- Buy American Act Compliant



### WARRANTY

**Limited Lifetime** - to the original end purchaser in consumer installations.

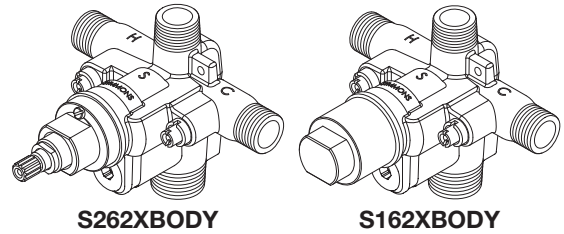
**5 Years** - for commercial installations.  
Refer to [www.symmons.com/warranty](http://www.symmons.com/warranty) for complete warranty information.





# SYMMONS® Temptrol®

the smart choice™



## PRESSURE BALANCING TUB/SHOWER VALVE BODY SPECIFICATION SUBMITTAL

### MODEL NUMBERS

- S262XBODY**  
Pressure Balancing tub/shower valve body with integral diverter and service stops
- S162XBODY**  
Pressure Balancing tub/shower valve body with pressure testing cap, integral diverter and service stops

### FEATURE HIGHLIGHTS

- Brass, bronze and stainless steel construction
- Pressure balancing mixing valve to maintain safe shower temperature
- Integral diverter control
- Adjustable stop screw to control maximum hot water temperature to valve
- Integral service stops allow water shut-off for valve servicing
- 4 port valve body in common plane
- Inlets: 1/2" IPS and 1/2" sweat
- Outlets: 1/2" IPS and 1/2" sweat
- Accommodates back to back installations
- Accommodates thin wall installations
- Stringer mounts included

### OPTIONS/MODIFICATIONS

- BR**      Mounting bracket
- CHKS**    Integral check stops for use in installations where a positive shut-off device is used downstream of valve
- RV**      Reverse seat for back to back installations

### INLET ADAPTERS

- CP**      CPVC fittings
- P1**      PEX crimp fittings
- P2**      PEX expansion fittings
- P3**      ProPress fittings

### COMPLIANCE

- ASME A112.18.1/CSA B125.1
- ASSE 1016
- Buy American Act Compliant



### WARRANTY

**Limited Lifetime** - to the original end purchaser in consumer installations.  
**5 Years** - for commercial installations.  
Refer to [www.symmons.com/warranty](http://www.symmons.com/warranty) for complete warranty information.

