

# Temptrol® Shower Valve

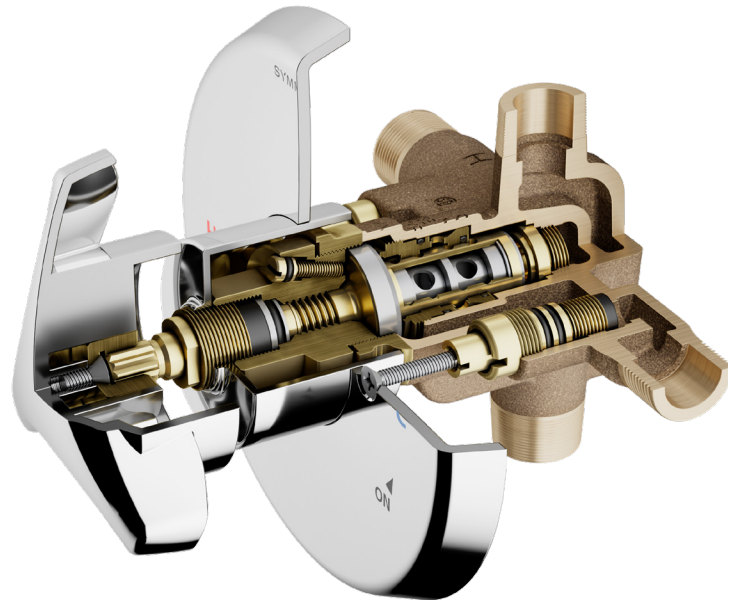
The Highest Quality Shower Valve in the Industry, Now Faster and Easier to Install

## Overview

Whether you're working on a luxury multifamily high rise, a new five star hotel, or anywhere quality and dependability is required, the Temptrol shower valve is the valve of choice to stand up to constant use, delivering a safe and comfortable shower each and every time.

### About the Temptrol valve:

- ✓ Inlets and outlets are on one common plane
- ✓ Available PEX crimp, PEX cold expansion, and CPVC connections
- ✓ Available Rapid Install Bracket for faster and easier installation



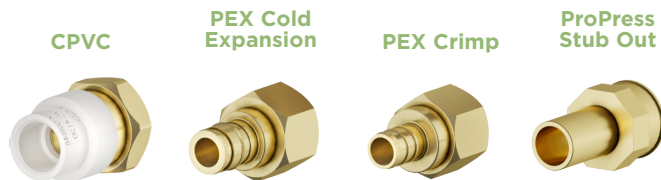
## Benefits of the Temptrol® Shower Valve

### NEW Inlets and Outlets are on One Common Plane

Valve body size has been reduced and fits in a 2x3 or modular wall.

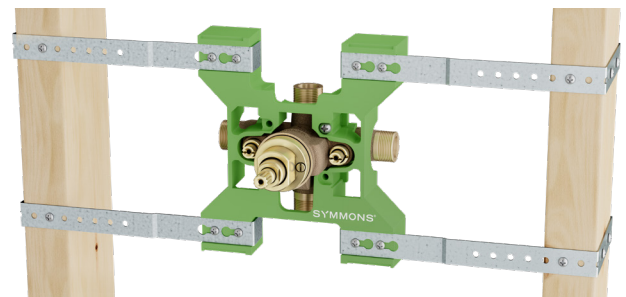
### NEW Works with PEX, CPVC, and ProPress

Factory-installed PEX crimp, PEX cold expansion, CPVC, and ProPress connections are available, reducing installation time onsite.



### NEW Available Rapid Install Bracket

Made of heat-resistant nylon, creates a stable installation, particularly when using non-rigid supply lines, and eliminates the need to measure rough-in, reducing installation time by up to 67% (see "Rapid Install" on back page for more details).



### NEW Stringer Mounts Built into Casting

Allows for easier installation of the valve and can be used to mount the valve to available rapid install bracket for faster and easier installation.

NEW

### Back-to-back Installation

Simply reverse the seats, and the same casting can be used for back-to-back installations.

NEW

### Available Test Cap

Factory-installed. Can be used to pressure test and flush the plumbing system.



NEW

### Universal Tool to Remove Seats and Stops

Works on all versions of Symmons Temptrol® valves.

### Red Brass Casting

Uses a lower percentage of zinc, reducing the potential for dezincification, which can lead to cracks and leaks in the valve body.

### TA-10 Flow Control Spindle

Provides scald protection, and adjusts automatically to balance hot and cold water. Made of solid brass and bronze with a stainless steel piston customers have trusted for over 50 years.



### Stainless-Steel Piston

Provides long-lasting, worry-free performance.

### Available Integral Service Stops

Shut water off directly at the valve while servicing without disrupting water to other units.

### Temperature Limit Stop Screw

The continuous thread stop screw allows for a more precise maximum water temperature to be set.

## Rapid Install

In one study, an experienced plumber was able to install 3 new Temptrol Rapid Install valves using the specially designed Rapid Install Bracket in the same time it took to install 1 new Temptrol valve without the Bracket. While more studies need to be conducted, installation time will vary per installation type (CPVC, PEX, copper, etc.), the plumber's professional experience, and the plumber's experience installing Symmons® valves.

### One Great Valve, Many Design Choices

With a Symmons Temptrol valve behind the wall, you can upgrade to any Symmons trim in a variety of designs to quickly and inexpensively enhance any bathroom décor.



### Made in America

Every Temptrol valve is made in Symmons' Braintree, Massachusetts manufacturing facility.

Learn more about the Temptrol valve at: [symmons.com/temptrol](https://symmons.com/temptrol)