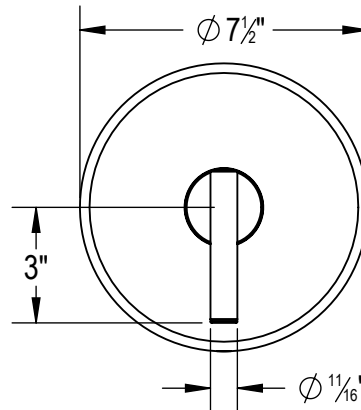
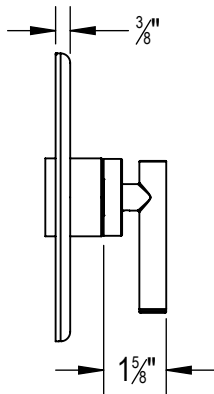
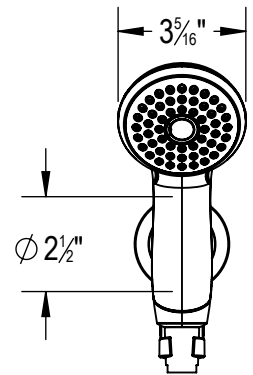
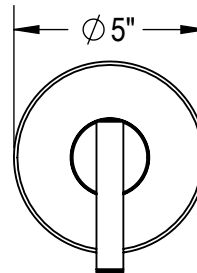
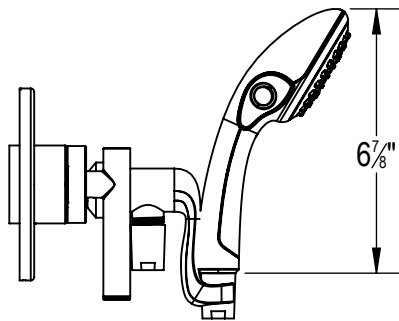
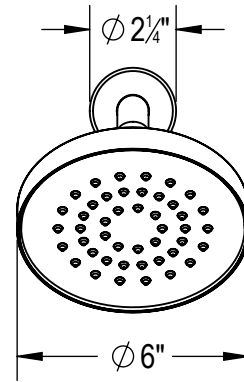
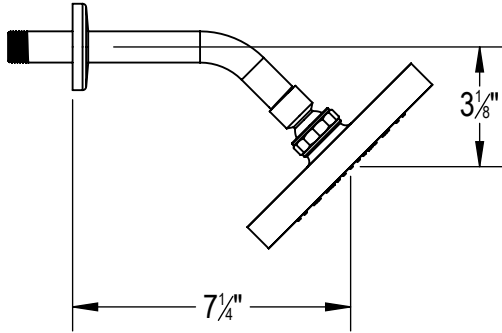



**Virgin Hotels**  
 Shower / Hand Shower Trim

VERSION <b>A</b>
Location:



<ul style="list-style-type: none"> <li>• Design &amp; Dimensions subject to change</li> <li>• Consult your Symmons Sales Representative for Timeline</li> </ul>		REQUIRES: 261XBODY, 2DIV-BODY		<small>*THIS DOCUMENT CONTAINS PROPRIETARY INFORMATION OF SYMMONS INDUSTRIES, INC. AND NEITHER THIS DOCUMENT OR ANY OF SAID PROPRIETARY INFORMATION SHALL BE PUBLISHED, REPRODUCED, COPIED, DISCLOSED OR USED FOR ANY PURPOSE WITHOUT THE EXPRESS WRITTEN PERMISSION OF A DULY AUTHORIZED REPRESENTATIVE OF SYMMONS INDUSTRIES, INC.*</small>	
PRODUCT NAME: Shower / Hand Shower Trim		ADDITIONAL NOTE: ---			
DATE 4/24/2019	SYMMONS MODEL# CD14983505HSFER	FLOW RATE: 2.5 GPM	VERSION: A	TOOLING: No	FINISH: Fire Engine Red
Approved by:		Approval Date:		Approval Signature:	



<ul style="list-style-type: none"> <li>• Design &amp; Dimensions subject to change</li> <li>• Consult your Symmons Sales Representative for Timeline</li> </ul>		REQUIRES:		261XBODY, 2DIV-BODY		<small>           *THIS DOCUMENT CONTAINS PROPRIETARY INFORMATION OF SYMMONS INDUSTRIES, INC. AND NEITHER THIS DOCUMENT OR ANY OF SAID PROPRIETARY INFORMATION SHALL BE PUBLISHED, REPRODUCED, COPIED, DISCLOSED OR USED FOR ANY PURPOSE WITHOUT THE EXPRESS WRITTEN PERMISSION OF A DULY AUTHORIZED REPRESENTATIVE OF SYMMONS INDUSTRIES, INC.*         </small>
PRODUCT NAME:		ADDITIONAL NOTE:				
Shower / Hand Shower Trim		---				
DATE	SYMMONS MODEL#	FLOW RATE:	VERSION:	TOOLING:	FINISH:	
4/24/2019	CD14983505HSFER	2.5 GPM	A	No	Fire Engine Red	
Approved by:		Approval Date:		Approval Signature:		
						 SYMMONS INDUSTRIES 31 BROOKS DRIVE BRAINTREE, MA 02184 1-800-SYMMONS www.symmons.com